

## Connecti Aural and Visual Alarm with NVS

There are two wire with combined aural and visual alarm ,

The red one is attached to the anode;

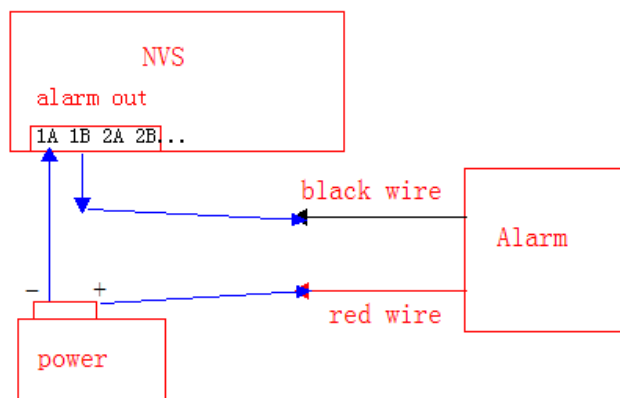
The black on is attached to the negative;

Connect them with 12V power, the alarm will be activated.

How to connect with NVS?

The red wire is attached to the anode, the black wire connect with “alarm out---1B”,, and the negative of power connect with “alarm in---1A”

As follows:



## How to trigger alarm?

In the IE settings of NVS

Enable the “Triggering alarm output” ---when the alarm of NVS is trigger, alarm will be activate

The screenshot shows the 'Alarm Parameters' tab in the NVS settings interface. The 'Sensor Detection Schedule Settings' section is expanded. A red box highlights the 'Start Sensor Detection' section, which includes a checked checkbox, a dropdown menu set to 'Everyday', and a 'Sensor Name' field containing 'sensor1'. Below this are seven rows of 'Close' dropdown menus, each with associated 'Start Time' and 'End Time' fields. The first row's end time is set to 23 H 59 M. At the bottom, the 'Triggering alarm output' checkbox is checked and highlighted with a red box. An 'OK' button is located at the bottom right.

The screenshot shows the 'Alarm Parameters' tab in the NVS settings interface. The 'Motion Detection Schedule Settings' section is expanded. A red box highlights the 'Start motion detection' section, which includes a checked checkbox, a dropdown menu set to 'Everyday', and 'Start Time' and 'End Time' fields. The end time is set to 23 H 00 M. Below this are seven rows of 'Close' dropdown menus, each with associated 'Start Time' and 'End Time' fields. At the bottom, the 'Triggering alarm output' checkbox is checked and highlighted with a red box. An 'OK' button is located at the bottom right.